

# Fluid control valve(2/2 way)

## 2KW Series (Internally piloted and normally opened )



### Symbol

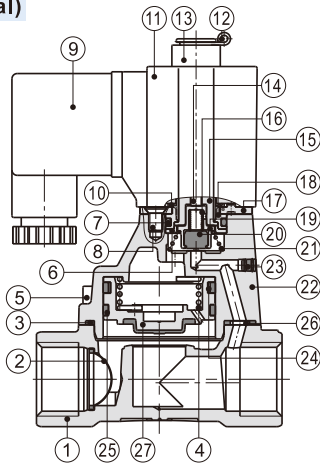


### Product feature

1. Indirect acting (Internal pilot) and normally opened type 2/2 way solenoid valve. Its can change direction quickly and has large flow.
2. It is compact, small and light weight. It is easy to install and dismantle;
3. The valve body is made of brass. The coil has a Heat resistance classification of Class B. The standard seal material is FPM-F. Please contact us if other material are required.
4. The protection class of the coil is IP65 and there is a choice for grommet or terminal electrical entry.

### Inner structure

#### 2KW150 (Terminal)



No.	Item	No.	Item	No.	Item
1	Body	10	Washer	19	Airtight bushing
2	Filter	11	Coil assembly	20	Airtight ring
3	O-ring	12	E Clip	21	Spring
4	Spring	13	Position ring	22	Cover
5	Screw	14	Mandril	23	Plug
6	Bead flange	15	Movable core	24	Bonnet spring
7	O-ring	16	Spring	25	Wear ring
8	Screw	17	Fixed plate	26	Spacer
9	Connector	18	Fixed cap	27	Piston

### Specification

Model\Item	Port size [Note1]	Orifice size (Φmm)	Cv	Valid area or section (mm <sup>2</sup> )	Weight [Note2](g)	Operating pressure differentia		Proof pressure	
						MPa	psi	MPa	psi
2KW150-15	1/2"	15.0	5.50	100.0	730	Max: 0.7 Min: 0.05	Max: 100 Min: 10	1.5	220
2KW200-20	3/4"	20.0	9.50	170.0	960				
2KW250-25	1"	25.0	12.5	220.0	1210				

[Note1] G thread is available.

[Note2] The weight in the table is the terminal valve's weight, grommet valve's weight is 10g less than terminal's.

### Specification of coil

Valve type	Coil type	Power type	Frequency (Hz)	Voltage range	Electrical entry	Power Consumption (VA/W)	Insulation	Temp. rise(°C)
2KW150	CDA116	AC	50	± 15%	Terminal (CDA)	15.0VA	Class B	50
2KW200	CLA116		60			11.0VA		40
2KW250		DC	-	± 10%	Grommet (CLA)	6.5W		30

### Valve's specification

Acting		Internally piloted			
Initial state		Normally opened			
Adaptable fluid		Air, Water, Oil			
Viscosity limit		Under 20CST			
Ambient and fluid temperature ( °C )		Water	Air	Oil	Ambient
	Max.	80	90	80	70
	Min.	1	-20 [Note1]	-10 [Note2]	-20

[Note1] Dew point: -20(°C) or less;

[Note2] 50CST or less.

### Ordering code

#### Ordering code of valves

2KW 150 15 A □ G

① ② ③ ④ ⑤ ⑥

① Model	② Orifice size	③ Port size	④ Voltage	⑤ Electrical entry	⑥ Thread type
2KW: 2/2 way internally piloted and normally opened	150: Φ15mm	15: 1/2"	A: AC220V B: DC24V C: AC110V E: AC24V F: DC12V	Blank: Terminal I: Grommet[Note]	G: G Thread
	200: Φ20mm	20: 3/4"			
	250: Φ25mm	25: 1"			

#### Ordering code of accessories

[Note] The wire length is 0.5m.

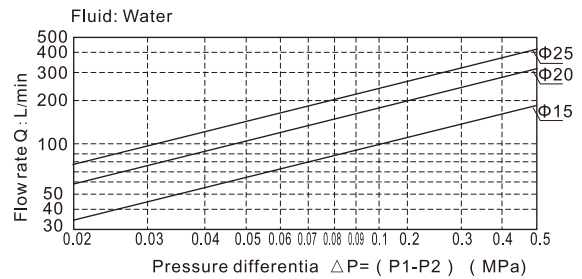
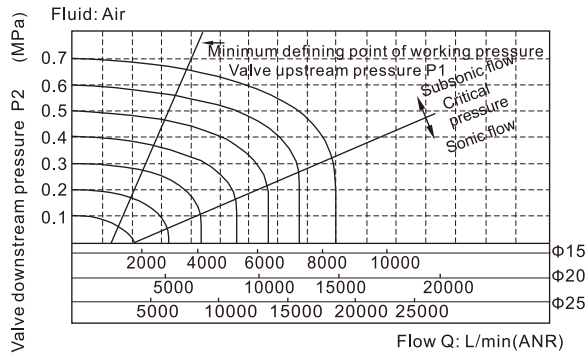
Ordering code of accessories is the same as 2S series valve's, Please refer to P184 for details of ordering code.



# Fluid control valve(2/2 way)

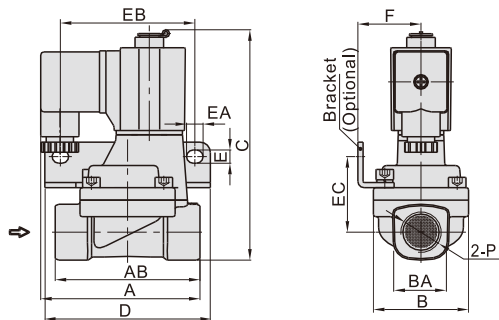
## 2KW Series (Internally piloted and normally opened)

### Flow chart



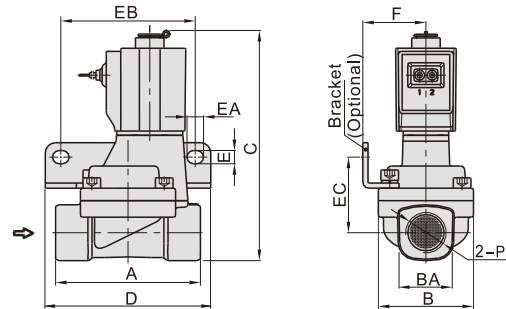
### Dimensions

#### Terminal



Model\Item	A	AB	B	BA	C	D	E	EA	EB	EC	F	P
2KW150-15	77	70	46	27.5	112.5	80	6.4	8	65	36.5	30.5	1/2"
2KW200-20	78.5	82	53	33.5	121	90	6.4	8	75	40	34	3/4"
2KW250-25	81	92	59	40.5	129.5	95	6.4	8	80	44.5	36	1"

#### Grommet



Model\Item	A	B	BA	C	D	E	EA	EB	EC	F	P
2KW150-15	70	46	27.5	112.5	80	6.4	8	65	36.5	30.5	1/2"
2KW200-20	82	53	33.5	121	90	6.4	8	75	40	34	3/4"
2KW250-25	92	59	40.5	129.5	95	6.4	8	80	44.5	36	1"